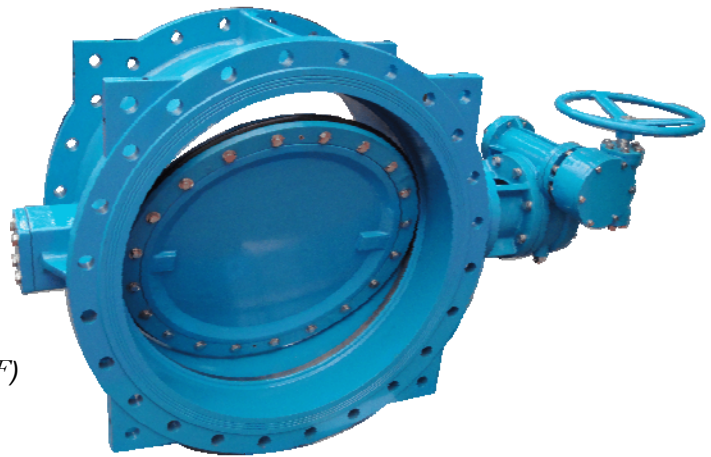


**CAST IRON OR DUCTILE IRON  
HIGH PERFORMANCE DOUBLE ECCENTRIC  
DOUBLE FLANGED BUTTERFLY VALVE**

**DESIGN DESCRIPTION:**

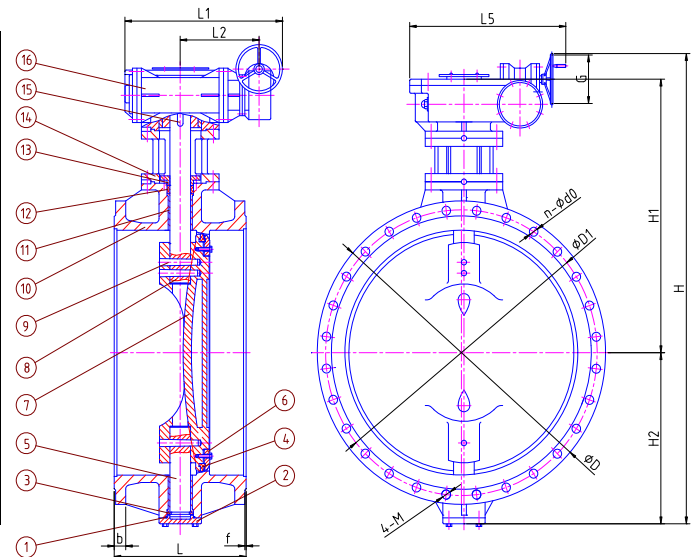
- Design: API609, MSS SP-67, BS 5155, BS EN593;
- Face To Face: DIN 3202-K3, DIN3202-F4;
- Flange: DIN2531/2532/2533;
- Actuator Mounting PAD: ISO 5211
- Double Eccentric;
- Welding Stainless Steel or Brass Seat;
- Available Inlaid U-type Stainless Steel;
- Material and Working Temp.:
  - ◆ Cast Iron and Ductile Iron: 0 °C-200 °C(32 °F-392 °F)
  - ◆ Buna-N: -12 °C-82 °C(10.5°F-179°F)
  - ◆ EPDM: -45 °C-135 °C(-49°F-275°F)
  - ◆ CSM/Hypalon: -18 °C-135 °C(0°F-275°F)
  - ◆ FPM/Viton: -12 °C-150 °C(10.5°F-302°F)



**PARTS AND MATERIAL:**

NO.	PART NAME	MATERIAL
1	O-RING	NBR/EPDM
2	END CAP	GGG40/GG25
3	THRUST BUSHING	STAINLESS STEEL
4	DISC SEAL RING	NBR/EPDN/VITON
5	LOWER SHAFT	SS416/SS304/SS316
6	DISC METAL RING	GG25/GGG40
7	DSC	GGG40/STAINLESS STEEL /BRONZE
8	UPPER SHAFT	SS416/SS304/SS316
9	PIN	SS304/SS316/MONEL
10	BODY	GG25/GGG40
11	BUSHING	BRASS/PTFE/STANLESS STEEL
12	SHAFT PACKING	EPDM/GRAPHITE
13	GLAND	GGG40
14	YOKE	GG25/GGG40
15	KEY	CARBON STEEL
16	GEAR	GG25

OTHER MATERIALS ARE AVAILABLE UPON REQUEST.



**DIMENSIONS LIST(UNIT:MM):**

Size	D	D1	b	f	Short Body		Long Body	H	H1	H2	Short Body	Long Body	L1
					n-d0	4-M	n-d0				L		
DN100	220	180	24	3			8-φ19	327	205	122		190	247
DN150	285	240	26	3			8-φ23	430	270	160		210	247
DN200	340	295	26	3	4-φ23	M20	8-φ23	463	245	218	89	230	440
DN250	395	350	28	3	8-φ23	M20	12-φ23	517	295	222	114	250	440
DN300	450	400	28	4	8-φ22	M20	12-φ23	959	542	267	114	270	449
DN350	505	460	30	4	12-φ22	M20	16-φ23	1048	583	315	127	290	449
DN400	565	515	30	4	16-φ26	M24	16-φ26	1120	620	350	140	310	449
DN450	615	565	34	4	16-φ26	M24	20-φ26	1190	667	373	152	330	449
DN500	670	620	34	4	16-φ26	M24	20-φ26	1280	702	428	152	350	486
DN600	780	725	35	5	20-φ30	M27	20-φ30	1409	759	450	178	390	627
DN700	895	840	40	5	20-φ30	M27	24-φ30	1613	885	528	229	430	627
DN800	1015	950	44	5	24-φ33	M30	24-φ33	1736	1013	573	241	470	635
DN900	1115	1050	44	5	24-φ33	M30	28-φ33	1860	1071	639	241	510	635
DN1000	1230	1160	50	5	24-φ36	M33	28-φ36	2107	1234	723	300	550	955
DN1200	1455	1380	56	5	28-φ39	M36	32-φ39				350	630	
DN1400	1675	1590	62	5	32-φ42	M39	36-φ42					710	
DN1600	1915	1820	68	5	36-φ48	M45	40-φ48					790	
DN1800	2115	2020	70	5	40-φ48	M45	44-φ48					870	

✧ We hereby reserve the rights of any alternative dimension that would help to improve our valve's quality and working efficiency.