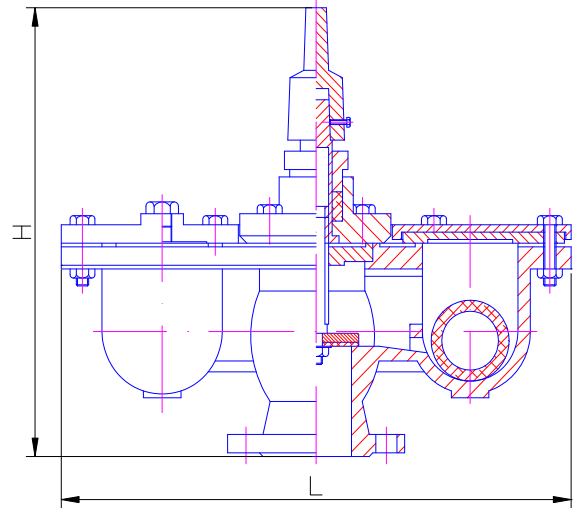


**CAST IRON OR DUCTILE IRON
AIR VALVE DOUBLE BALL WITH GLOBE VALVE**

DESIGN DESCRIPTION:

- Design: DIN3352;
- Manufacture: Factory STD;
- Flange: ANSI B16.1 125LBS, DIN2531/2532/2533;
- Bolt cover;
- Fully guider;
- Ball seal;
- Globe valve for Inter valve
- Material and Working Temp.:
 - ◆ Cast Iron and Ductile Iron: 0 °C-200 °C(32 °F-392 °F)
 - ◆ Buna-N: 71 °C(160°F) Maximum
 - ◆ EPDM: 80 °C(176°F) Maximum



PARTS AND MATERIAL:

PARTS NAME	MATERIALS
BODY	ASTM A126-B/A536,DIN GG25/GGG40
DISC	ASTM A126-B/A536,DIN GG25/GGG40
BALL	NBR/EPDM
COVER	ASTM A126-B/A536,DIN GG25/GGG40
COVER NUT	CAST STEEL
COVER BOLT	CAST STEEL

OTHER MATERIALS ARE AVAILABLE UPON REQUEST.

DIMENSIONS LIST(UNIT:MM):

Size(DN)	50	80	100	150	200
H	387	387	490	597	679
L	468	468	555	742	850

Remark: Our design can be suitable for all standard (BS, DIN, ANSI, JIS standard etc.)

◇ We hereby reserve the rights of any alternative dimension that would help to improve our valve's quality and working efficiency.